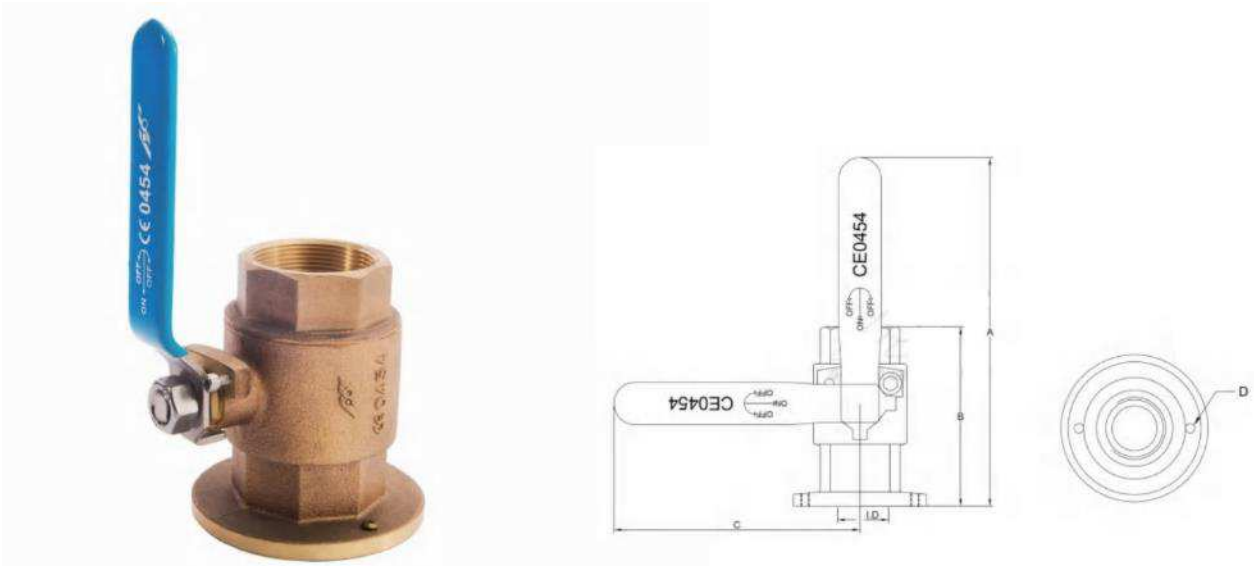




➤ **ACCESSORI PER LA NAUTICA**

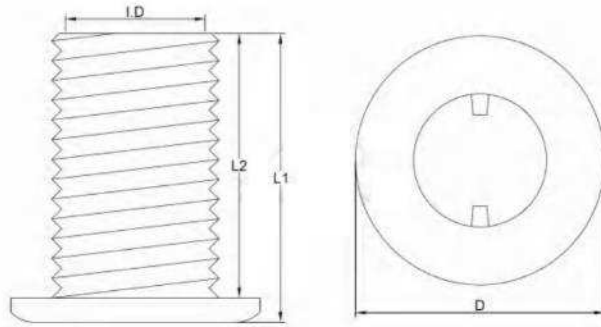
VALVOLA PER PRESA A MARE



Seacock

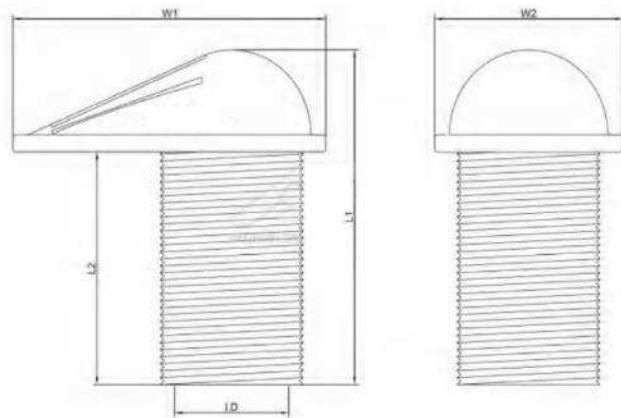
Specification	Model No.	A	B	C	D	Thread-BSPT		
3/4"	CH20006	148	75	105	4	24.1		
1"	CH20010	185	91.7	132	4	30.3		
1-1/4"	CH20012	187	99	131.5	4	39		
1-1/2"	CH20014	230	112.3	170	4	44.9		
2"	CH20020	239	129	168	4	56.7		
2-1/2"	CH20024	271	149	194	4	72.2		
3"	CH20030	334	172	243	4	85.9		
4"	CH20040	459	224	334	4	110.1		
5"	CH20050	502	288	334	4	136		

SCARICO IN BRONZO



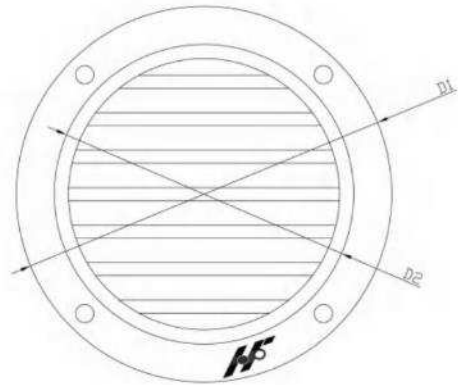
Bronze Thru-Hull

Specification	Model No.	I.D	L1	L2	D	Thread-BSPP		
3/4"	CH60006	19	80.9	75.2	50.5	26.4		
1"	CH60010	25.2	83	76	57.6	33.3		
1-1/4"	CH60012	31	83	76.4	67	41.9		
1-1/2"	CH60014	39	83	76.4	72.4	47.8		
2"	CH60020	50.1	89.1	79.9	94.5	59.6		
2-1/2"	CH60024	64	395	86	109.2	75.2		
3"	CH60030	75	101.2	93.6	124	87.9		
4"	CH60040	96.6	148	135.9	155	133		
5"	CH60350	121.1	124	107	201.1	139.8		

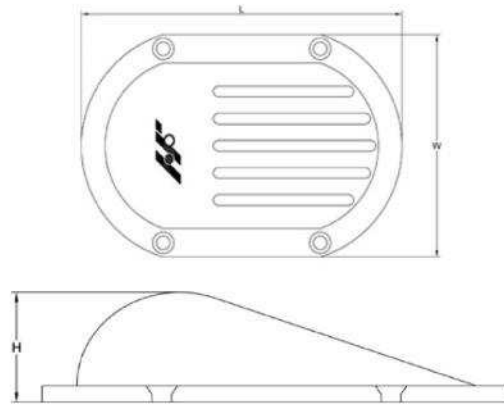


Scoop Thru-Hull

Specification	Model No.	I.D	W1	W2	L1	L2	Thread-BSPP	
3/4"	CH61006	19.5	83.1	62.2	101	72.4	26.4	
1"	CH61010	25	89.9	67	118.3	88.5	33.3	
1-1/4"	CH61012	34	104	76.5	113.8	78.6	41.9	
1-1/2"	CH61014	38	105	75.5	112.5	78	47.8	
2"	CH61020	49.3	144	88.2	121.5	73.1	59.6	

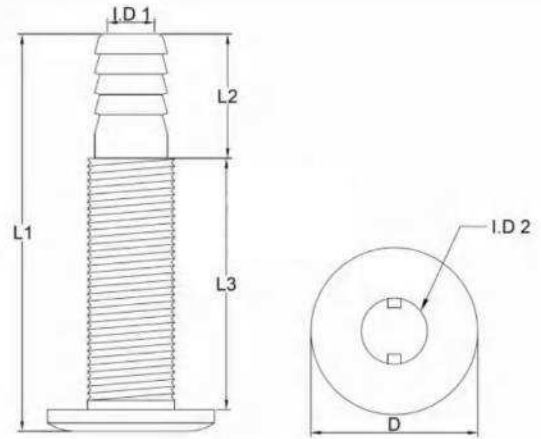


Strainer									
Specification	Model No.	D1	D2						
3/4"	CH61106	92.8	74.5						
1"	CH61110	92.8	74.5						
1-1/4"	CH61112	122.9	102						
1-1/2"	CH61110	122.9	102						



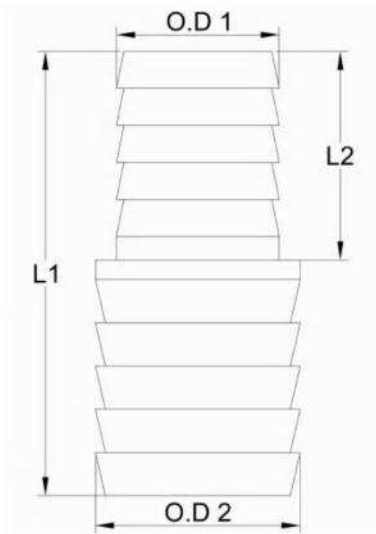
Scoop Strainers

Specification	Model No.	L	W	H					
3/4"	CH61106	118.5	82.5	29					
1"	CH61110	137	98	36					
2"	CH61120	165	131	40					
2-1/2"	CH61124	266	182.5	66					
3"	CH61130	266	182.5	66					
4"	CH61140	355	241	76					
5"	CH61150	398	301	122.8					



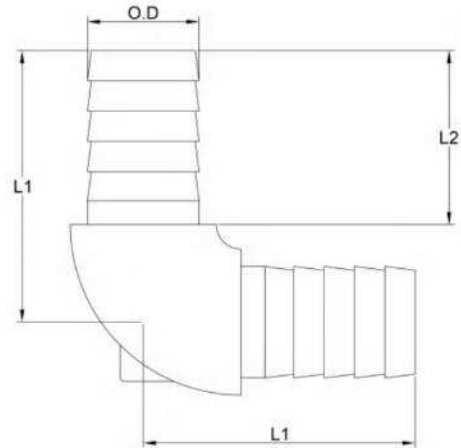
Hose Thru-Hull								
Specification	Model No.	I.D 1	I.D 2	L1	L2	L3	Thread-BSPP	
1" *1"	CH60610	20	25.5	125.5	43	76.5	33.3	
1-1/4" *1-1/4"	CH60612	25	31.5	125.5	43	76.5	41.9	
1-1/2" *1-1/2"	CH60614	30.5	38	131	46	78.8	47.8	
2" *2"	CH60620	43	50.5	138	51.2	79	59.6	

RACCORDI VARI- SPINATO DOPPIO- A GOMITO- A "T"

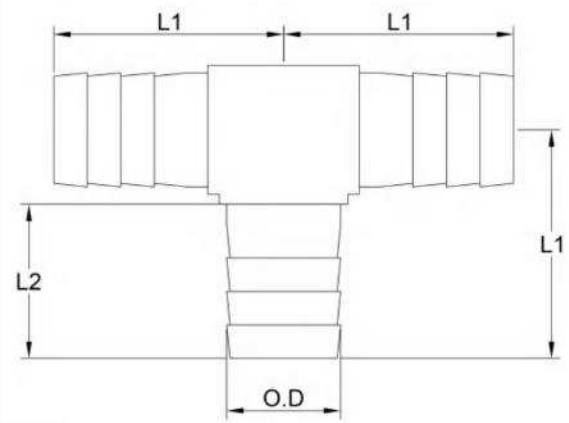


Double Barbed Fitting

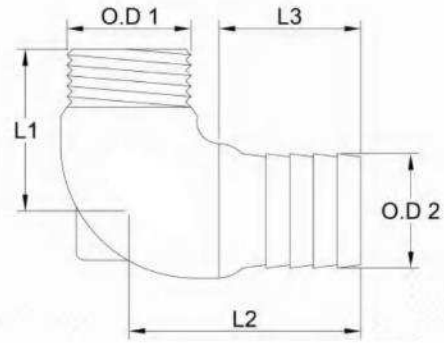
Specification	Model No.	O.D	L1	L2					
3/16"	CE10011	5.5	42	15.5					
1/4"	CE10022	7	44	14					
5/16"	CE10025	9	50	19					
3/8"	CE10033	10.5	50	19					
1/2"	CE10044	13.5	55	21.3					
5/8"	CE10055	17.5	52.5	20					
3/4"	CE10066	20.6	50	18.8					
1"	CE11010	26.4	65	25					
1-1/4"	CE11212	33.3	85.8	42.9					
1-1/2"	CE11414	38.7	105.9	44.7					



Elbow Barbed Fitting									
Specification	Model No.	O.D	L1	L2					
1/4"	CE20022	7	29	20.5					
5/16"	CE20025	9	31.8	20.5					
3/8"	CE20033	10.5	31.5	20.5					
1/2"	CE20044	13.5	34	22.3					
5/8"	CE20055	17.5	28	15.3					
3/4"	CE20066	20.6	35.5	19					
1"	CE21010	26.4	66.7	41.2					
1-1/4"	CE21212	33.3	74	43					
1-1/2"	CE21414	38.7	74	47					
2"	CE22020	51.7	75.5	50					
2-1/2"	CE22424	63.7	107	64					
3"	CE23030	77	113.8	60.7					
4"	CE24040	104	133	71					



T Barbed Fitting									
Specification	Model No.	O.D	L1	L2					
1/4"	CE71002	7	24.8	19					
5/16"	CE71002-5	9	28.8	21					
3/8"	CE71003	10.5	28.3	20					
1/2"	CE71004	13.5	30.5	23					
5/8"	CE71005	17.5	34.3	23.4					
3/4"	CE71006	20.6	35.6	23.4					
1"	CE71010	26.4	66.6	43.5					
1-1/4"	CE71012	33.3	62.3	39					
1-1/2"	CE71014	38.7	72.1	46					
2"	CE71020	51.7	74.3	44					



Elbow Tail Fitting-1

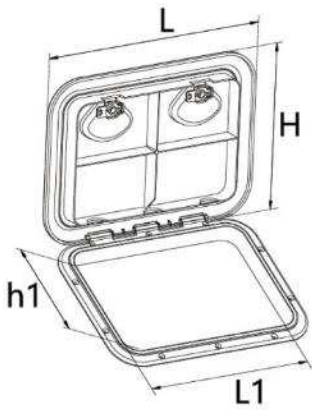
Specification	Model No.	O.D 2	L1	L2	L3	Thread-BSPT
1/8" *1/4"	CE40012	7	19.2	28.3	20.3	9.7
1/8" *5/16"	CE40012-5	9	17.4	27.4	20	9.7
1/8" *3/8"	CE40013	10.5	23.2	30.3	20	9.7
1/4" *1/4"	CE40022	7	22.7	31.2	20.3	13.2
1/4" 5/16"	CE40022-5	9	22.2	31.5	20.3	13.2
1/4" *3/8"	CE40023	10.5	22.8	31.2	22.5	13.2
1/4" *1/2"	CE40024	13.5	24.9	33.1	21.6	13.2
1/4" *5/8"	CE40025	17.5	31.7	33.6	22.2	13.2
3/8" *1/4"	CE40032	7	26.6	35	23.6	16.7
3/8" *3/8"	CE40033	10.5	22.3	31.4	22.1	16.7
3/8" *1/2"	CE40034	13.5	24.4	32.1	21.1	16.7
3/8" *5/8"	CE40035	17.5	24.6	30.3	18	16.7
3/8" *3/4"	CE40036	20.6	32.8	35.3	19.2	16.7
1/2" *1/4"	CE40042	7	26.9	31.9	20	21



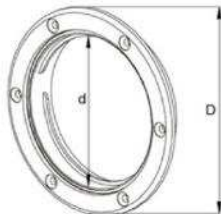
Hatches

PORTELLI E OBLO'

Dimensions



Model	H(mm)	L(mm)	h1(mm)	L1(mm)
NMRE-270-375-01	270	375	192	291
NMRE-243-607-01	243	607	168	525
NMRE-315-440-01	315	440	240	358
NMRE-353-606-01	353	606	278	524
NMRE-370-375-01	370	375	295	295
NMRE-460-510-01	460	510	383	436



Model	Size inch	d(mm)	D(mm)	Color
NMRH-004-01	4	101	143	white
NMRH-006-01	6	151	198	white
NMRH-008-01	8	180	250	white

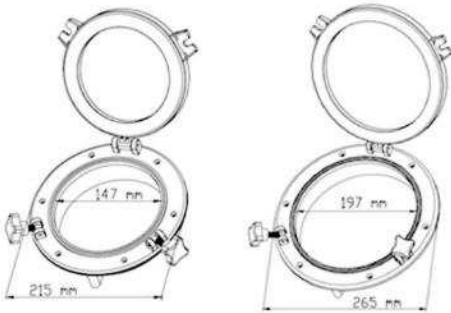
Agency Approvals:

CE



porthole

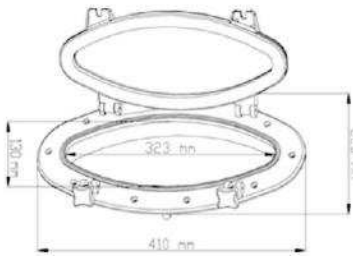
Dimensions



Model:01

Model:02

Model	Size(cm)	Color
NMPP1-01	21	white
NMPP2-01	21	black
NMPP1-02	26	white
NMPP2-02	26	black



Model:03

Model	Shape	Color
NMPP1-03	Oval shape porthole	white
NMPP2-03	Oval shape porthole	black



Model:04

Model	Shape	Color
NMPP1-04	Rectangular shape porthole	white
NMPP2-04	Rectangular shape porthole	black

Agency Approvals:

CE